



**Vestil Manufacturing Corp.**  
 2999 North Wayne Street, P.O. Box 507, Angola, IN 46703  
 Telephone: (260) 665-7586 -or- Toll Free (800) 348-0868  
 Fax: (260) 665-1339  
 Web: [www.vestilmfg.com](http://www.vestilmfg.com) e-mail: [info@vestil.com](mailto:info@vestil.com)

## LLPW-CL-1560 Series Cylinder Movers Use and Maintenance Manual



**Receiving Instructions**

After delivery, remove the packaging from the product. Inspect the product closely to determine whether it sustained damage during transport. If damage is discovered, record a complete description of it on the bill of lading. If the product is undamaged, discard the packaging.

**NOTE:** The end-user is solely responsible for confirming that product design, use, and maintenance comply with laws, regulations, codes, and mandatory standards applied where the product is used.

**Technical Service & Replacement Parts**

For answers to questions not addressed in these instructions and to order replacement parts, labels, and accessories, call our Technical Service and Parts Department at (260) 665-7586. The Department can also be contacted online at <https://www.vestil.com/page-parts-request.php>.

**Electronic Copies of Instruction Manuals**

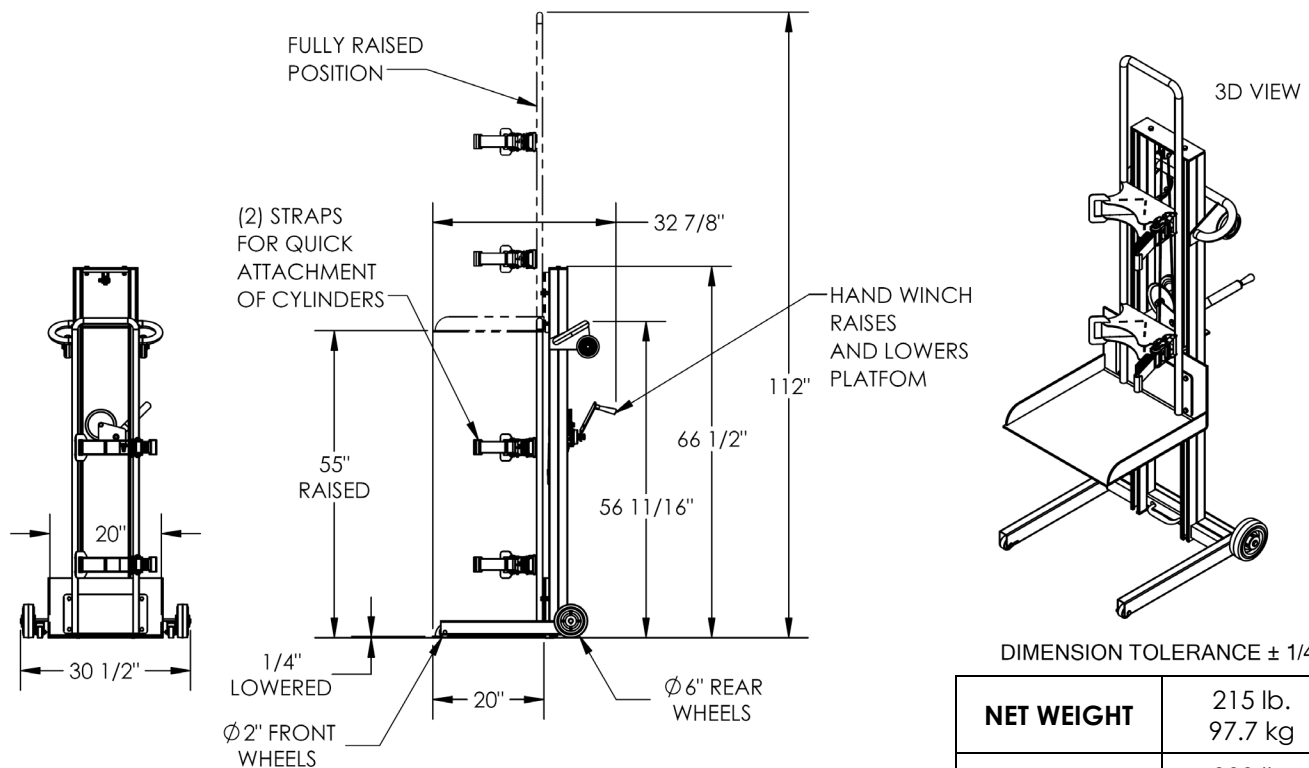
Additional copies of this instruction manual may be downloaded from <https://www.vestil.com/page-manuals.php>.

Table of Contents	Page
<a href="#">Specifications (dimensions, capacity, net weight)</a> .....	2
<a href="#">Signal Words</a> .....	2
<a href="#">Safety Instructions</a> .....	3
<a href="#">National Standards</a> .....	3
<a href="#">Exploded View &amp; Bill of Materials: LLPW-CL-1560</a> .....	4
<a href="#">Exploded View &amp; Bill of Materials: LLPW-500-FW</a> .....	5
<a href="#">Using the Hand Truck</a> .....	6
<a href="#">Record of Satisfactory Condition</a> .....	7
<a href="#">Inspections &amp; Maintenance</a> .....	7
<a href="#">Labeling Diagram</a> .....	8
<a href="#">Limited Warranty</a> .....	9

# SPECIFICATIONS

Dimensions, capacity, and net weight figures are provided in the following diagrams and tables.

## LLW-CL-1560



DIMENSION TOLERANCE ± 1/4"

<b>NET WEIGHT</b>	215 lb. 97.7 kg
<b>CAPACITY</b>	300 lb. 136.4 kg

### STANDARD FEATURES

- MODEL NUMBER IS LLPW-CL-1560
- MAX. GAS CYLINDER SIZE: 11 1/2" DIA. X 56" TALL
- APPROXIMATE WEIGHT: 215 LB. (97.7KG)
- OVERALL WIDTH IS 30 1/2"
- OVERALL LENGTH IS 32 7/8"
- OVERALL HEIGHT IS 112"
- MAX CAPACITY IS 300 LBS
- RAISED HEIGHT: 55"
- LOWERED HEIGHT: 1/4"
- HAND WINCH OPERATION
- 6" DIA. REAR WHEELS
- STEEL CONSTRUCTION
- TOUGH BAKED IN POWDER COATED BLUE FINISH CART
- TOUGH BAKED IN POWDER COATED YELLOW CYLINDER MOUNT

## SIGNAL WORDS

This manual uses SIGNAL WORDS to draw attention to uses of the product that could result in personal injuries, as well as the probable seriousness of those injuries. Other signal words call attention to uses likely to cause property damage. Signal words used in this manual appear below along with the definition of each word.



**DANGER** Identifies a hazardous situation which, if not avoided, WILL result in DEATH or SERIOUS INJURY. Use of this signal word is limited to the most extreme situations.



**WARNING** Identifies a hazardous situation which, if not avoided, COULD result in DEATH or SERIOUS INJURY.



**CAUTION** Indicates a hazardous situation which, if not avoided, COULD result in MINOR or MODERATE injury.



**NOTICE** Identifies practices likely to result in product/property damage, such as operation that might damage the product.

## SAFETY INSTRUCTIONS

We strive to identify foreseeable hazards associated with the use of our products. However, material handling is inherently dangerous and no manual can address every risk. The end-user ultimately is responsible for exercising sound judgment at all times.

### **⚠ WARNING**

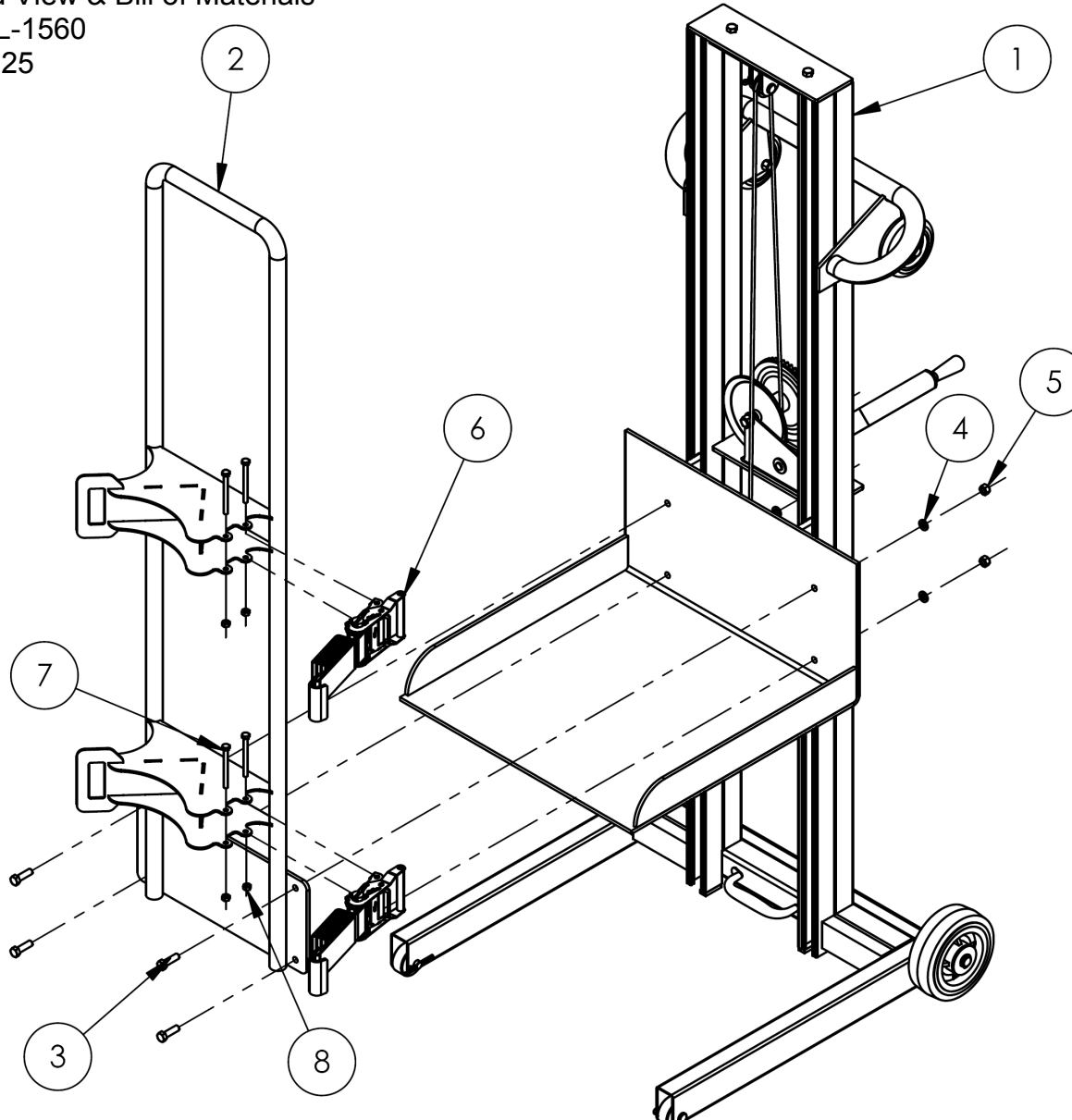
Improper or careless operation might result in serious personal injuries.

- **Read and understand the entire manual before assembling, using or servicing the product.** Read the manual to refresh your understanding of proper use and maintenance procedures whenever necessary.
- Inspect the lifter as directed in [Inspections & Maintenance](#) on p. 7. DO NOT use the lifter unless it is in satisfactory condition.
- DO NOT store cylinders on this lifter. Only use the lifter to transport cylinders. Unload the lifter and lower the carriage/deck before leaving it unattended.
- Before using the lifter, inspect the area where it will be used.
- Instruct others to stay clear of the device and the supported load during operation.
- Avoid contact with moving parts during operation, i.e. the cable, carriage, rollers, casters, and wheels.
- DO NOT allow people to ride on the lifter.
- DO NOT lift a cylinder that weighs more than the 300 lb. (136.4kg) capacity of your unit. Capacity information appears on label 287, which is also shown in the [Labeling diagram](#) on p. 8. Also see [Specifications](#) on p. 2.
- Cylinder valves must be tightly sealed with guards installed.
- Watch the carriage (the mechanism that moves up and down the mast and attaches to the deck) while raising and lowering the deck. The carriage should be level. It should move smoothly up and down the mast. Watch for binding or jerky movement. Listen for unusual noises. Tag the unit "Out of order" and do not use it if you observe anything unusual. Only return the unit to service after it is restored to satisfactory condition. See [Record of Satisfactory Condition](#) on p. 7.
- Only use this lifter on even, level ground. DO NOT transport loads across inclines or over stairs. If it is not possible to avoid an incline, do not transport the lifter by yourself unless you can easily control it. Ask someone to help you control the unit, if necessary. Both of you should stand upslope of the lifter.
- Enlist a coworker to help you lift, load, and unload the unit whenever necessary.
- DO NOT perform maintenance on this product UNLESS you are qualified to do so, it is unloaded, and the carriage is lowered. If the unit requires repairs, ONLY install manufacturer-approved replacement parts.
- Before leaving the unit unattended, lower the carriage.
- DO NOT use the lifter UNLESS all labels are in place and easily readable from a reasonable, distance. See [Labeling diagram](#) on p. 8.
- DO NOT modify this product in any way. Modifying the lifter might make it unsafe to use and automatically voids the [Limited Warranty](#).

## NATIONAL STANDARDS

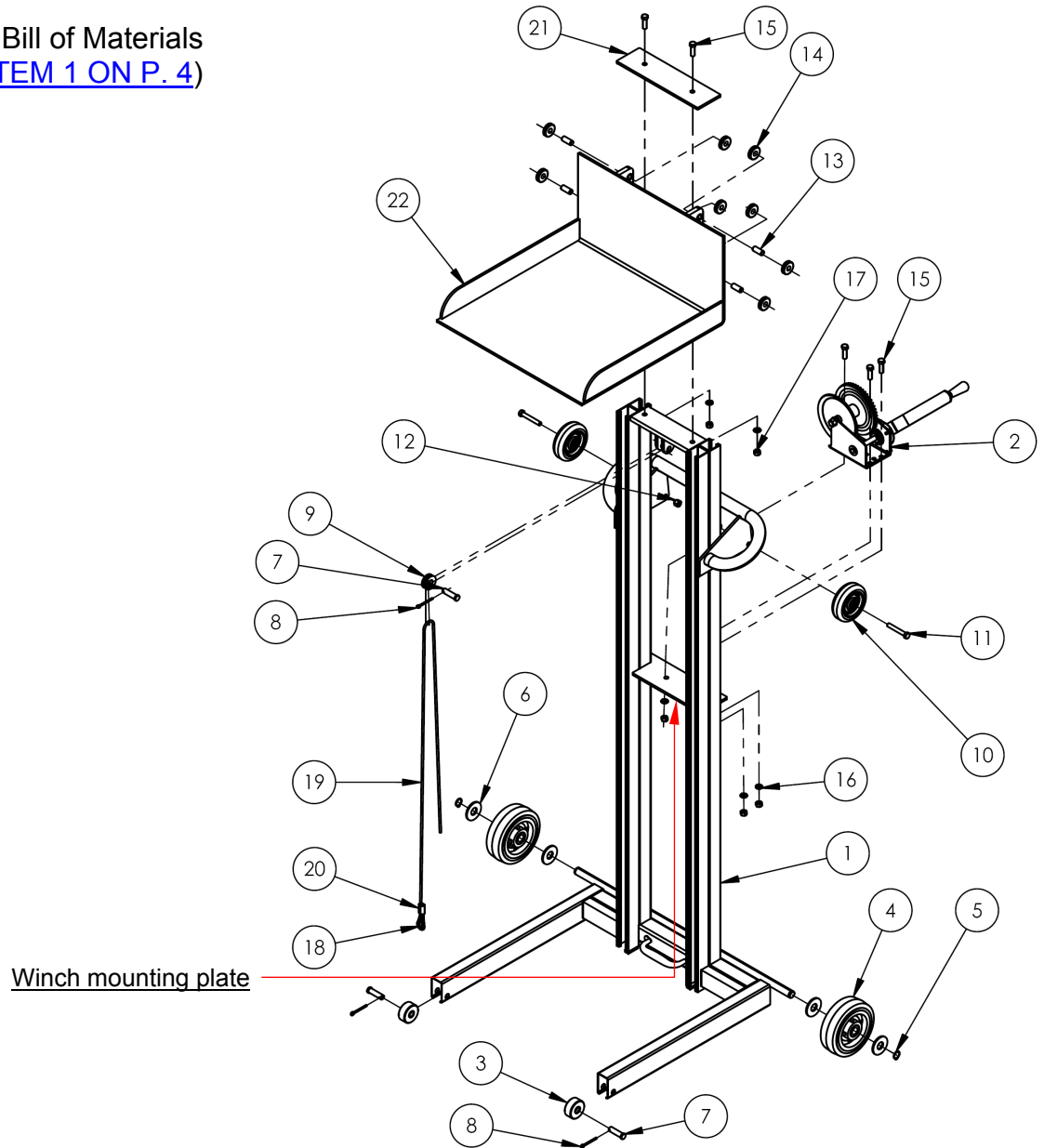
This product is a manually propelled high lift truck. The Industrial Truck Standards Development Foundation (ITSDF) publishes national standard ANSI/ITSDF B56.10 (the "Standard") on its website ([www.itsdf.org](http://www.itsdf.org)). The standard is freely downloadable at <http://www.itsdf.org/cue/b56-standards.html>. Before putting the unit into service, acquire a copy of the Standard and apply all recommendations in Part II: For the User. If instructions provided in this manual conflict with instructions in the Standard, then you should apply the instructions in the Standard. Vestil encourages you to immediately contact [TECHNICAL SERVICE](#) to report any differences between instructions in this manual and the Standard.

Exploded View & Bill of Materials  
 LLPW-CL-1560  
 42-006-025



ITEM	PART NO.	DESCRIPTION	QTY.
1	42-001-011	LLPW-500-FW LIFT TRUCK (SEE <a href="#">EXPLODED VIEW 42-006-011</a> ON P. 5)	1
2	42-514-030	WELDMENT, CYLINDER LIFT	1
3	11107	HEX BOLT, GRADE A, ZINC FINISH, 3/8"-16 x 1-1/4"	4
4	33622	SPLIT LOCK WASHER, CARBON STEEL, MEDIUM ZINC FINISH, 3/8"	4
5	36106	HEX NUT, GRADE A, ZINC PLATED, 3/8-16	4
6	16-145-018	2" x 36" STRAP WITH RATCHET	2
7	11015	HEX BOLT, GRADE A, ZINC PLATED, 1/4"-20 X 3"	4
8	37018	NYLON LOCK NUT, GRADE 2, ZINC FINISH, 1/4"-20	4

Exploded View & Bill of Materials  
 LLPW-500-FW (ITEM 1 ON P. 4)  
 42-006-011

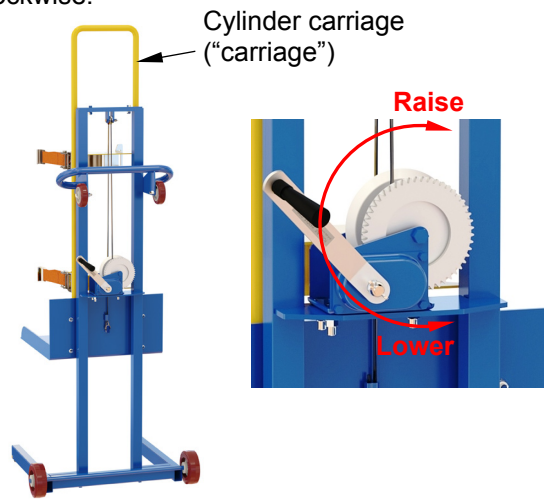


ITEM	PART NO.	DESCRIPTION	QTY.	ITEM	PART NO.	DESCRIPTION	QTY.
1	33-514-056	WELDMENT, FRAME	1	12	37024	NYLON INSERT LOCK NUT, GRADE 2, ZINC FINISH, 3/8"-16	2
2	21-042-002-001	HAND WINCH, ONE PIECE STRAIGHT HANDLE GRIP	1	13	21-112-002	PIN. ROLLER	4
3	21-527-002	SUB-ASSEMBLY, ROLLER W/ BUSHING	2	14	21-027-003	ROLLER, GUIDE	8
4	16-132-058	WHEEL, POLY ON POLY	2	15	11107	HEX BOLT, GRADE A, ZINC FINISH, 3/8"-16 x 1-1/4"	5
5	68015	EXTERNAL RETAINING RING,PHOSPHATE, 3/4"	2	16	33622	SPLIT LOCK WASHER, CARBON STEEL, MEDIUM ZINC FINISH, 3/8"	5
6	33018	USS FLAT WASHER, Z PLATED, Ø 3/4"	4	17	36106	HEX NUT, GRADE A, ZINC PLATED, 3/8-16	5
7	21-112-003	PIN, Ø1/2 X 1-15/16 LG RETAINING CLEVIS	3	18	21-145-013	SPECIALTY HARDWARE, THIMBLE	1
8	65107	COTTER PIN, ZINC FINISH, Ø5/32" X 2"	3	19	21-145-014	SPECIALTY HARDWARE, Ø3/16" AIRCRAFT CABLE	1
9	21-527-001	SUB-ASSEMBLY, PULLEY W/BUSHING	1	20	99-145-067	COMPRESSION SLEEVE Ø3/16" X 1" LG	1
10	16-132-009	PP-4/1.25-W	2	21	21-017-155	BAR, RETAINER	1
11	11113	HEX BOLT, GRADE A, PLAIN FINISH, 3/8"- 16 X 2-1/2"	2	22	33-513-032	WELDMENT, DECK	1

## USING THE HAND TRUCK

This product is a “manually-propelled high lift industrial truck” according to US national standard ANSI/ITSDF B56.10-2012 (“B56.10”). Acquire a copy of B56.10, which is available at no cost through the ITSDF website ([www.itsdf.org](http://www.itsdf.org)). Review the operation recommendations. Instructions in this manual are meant to **supplement** those recommendations.

**Raising and lowering the carriage:** To raise the carriage, rotate the winch handle clockwise. The carriage rises ~1 inch with each full rotation. To lower the carriage, rotate the handle counterclockwise.



ONLY use this device after completing the training program outlined in B56.10, sections 4.17 and 4.18.1-.4.

- Develop safe working habits and an awareness of hazardous conditions occurring or present during operation of the lifter.
- Inspect the area where the lifter will be used to identify unusual operating conditions. Implement additional safety precautions as conditions require. Usual conditions could include:
  1. Irregularities in the floor/surface;
  2. Unsound surfaces, i.e. surfaces that cannot support your weight plus the weight of the lifter and a full capacity load.
- Perform the following **function test before each use**:
  1. Raise and lower the carriage and confirm satisfactory condition of the mast, winch, mast rollers, and cylinder carriage. See **INSPECTIONS & MAINTENANCE** section on p. 7.
  2. Test the casters, wheels, and rollers: All should roll smoothly, should not be severely worn, and should be securely fastened to the frame of the lifter.

Inspect the lifter according to the instructions in **Inspections & Maintenance** on p. 7. Use the lifter only if it is in satisfactory condition.

**Step 1:** Grasp the handle with both hands and push the lifter to the cylinder. Keep your feet away from the wheels as the lifter moves.

**Step 2:** Lower the carriage to the ground.

**Step 3:** Release the ratchet strap of each cylinder cradle by pulling up on the release lever and holding it. Open the ratchet mechanism--rotate the ratchet handle away from the ratchet base until the 2 sides of the ratchet mechanism are 180 degrees apart. Pull the strap to unwind it from the spool.

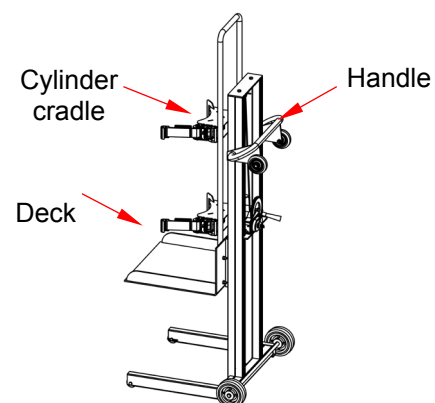
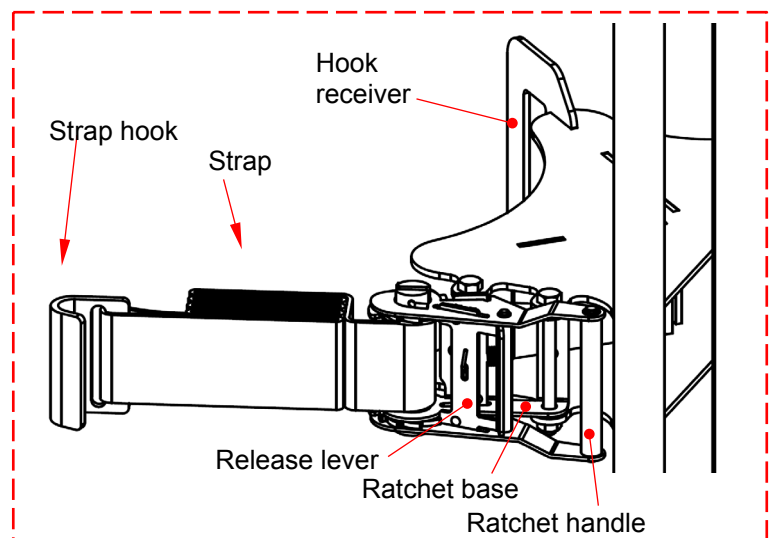
**Step 4:** Move a cylinder onto the deck. Press it against the cradles. Wrap the straps around the cylinder. Reattach the hooks to the receivers on the opposite sides of the cradles. Pull the release lever up and hold it. Fold the ratchet handle onto the base and let go of the release lever. Now move the handle back-and-forth to tighten the strap around the cylinder.

**Step 5:** Lift the deck just a few inches above the ground. Confirm that the cylinder is firmly strapped to the cradles. Push the lifter to the unloading location.

**Step 6:** Raise or lower the deck to the necessary unloading height by turning the winch handle clockwise (raise) or counterclockwise (lower).

**Step 7:** Remove the cylinder by releasing the ratchet straps. See **Step 3** above.

**Step 8:** Return the lifter to its storage location. Lower the deck completely. Store the lifter in a dry, indoor location.



## RECORD OF SATISFACTORY CONDITION (THE “RECORD”)

Record the condition of the hand truck before putting it into service. Thoroughly photograph the unit from multiple angles so that all operating mechanisms are clearly visible. Take close range photographs of the labeling applied to the truck. Raise and lower the deck. Describe the operation of the winch. Describe sounds heard as the deck rises and descends. Include detailed descriptions about the frame, cylinder cradles and ratchet mechanisms, rollers, wheels, casters, carriage, mast rollers, and the lifting mechanisms (winch, cable, and pulleys). How much effort is required to turn the winch? Collate all photographs and writings into a single file. Give the file a name that clearly identifies it. This file is a record of the unit in satisfactory condition. Compare all inspection results to the record to determine whether the truck is in satisfactory condition. Purely cosmetic changes, like damaged paint/powder coat are not changes from satisfactory condition. However, touch-up paint to be applied to all affected areas as soon as damage occurs.

## INSPECTIONS & MAINTENANCE

Regular inspections and maintenance are necessary to keep the device in normal condition. Compare the results of each inspection to the *Record* to determine whether the unit is satisfactory condition or requires repairs or replacement parts. If you are uncertain whether a part requires repair or replacement, contact *Technical Service* for assistance.

- Periodically lubricate moving parts.
- Keep the product clean and dry.
- Only use manufacturer-approved replacement parts.

At least once per week, inspect the following components:

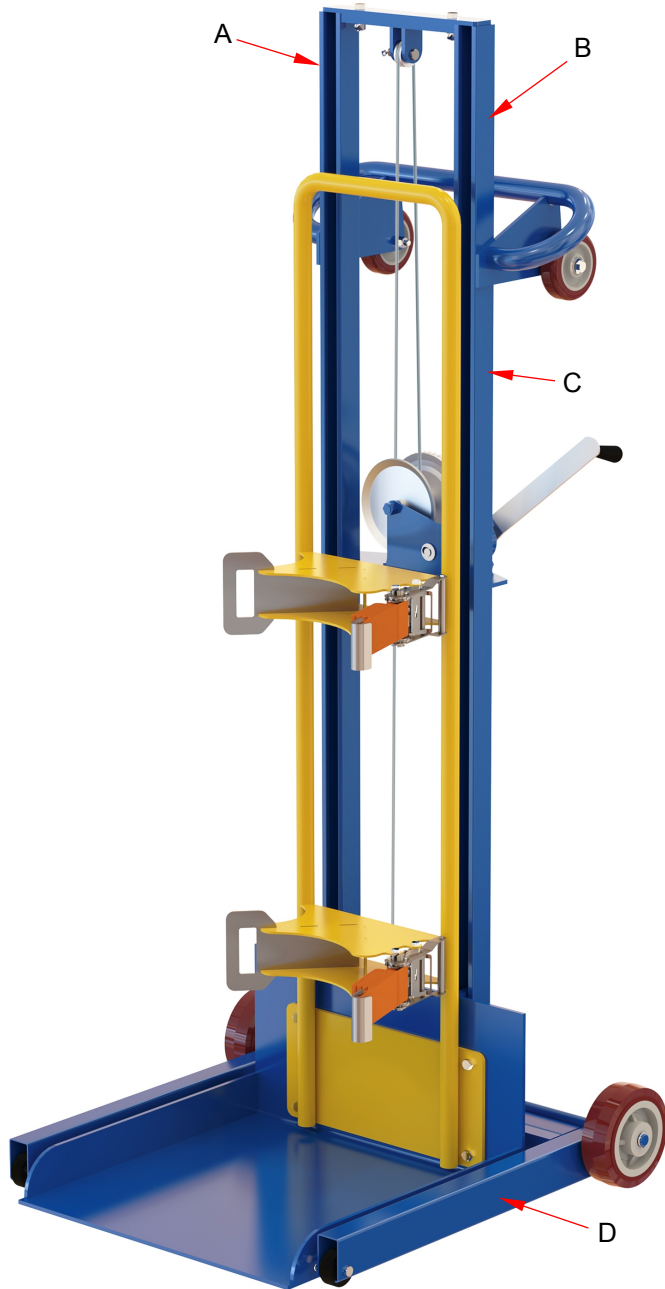
1. Winch, winch mounting bracket, cable, carriage rollers, and pulley [See *Using the Hand Truck* on p. 6]: Cycle the deck up and down. Listen for unusual noises and watch for binding or rough movement as the carriage moves. If the carriage does not move smoothly or makes noise as it moves up or down the upright, apply a silicon wax or silicon spray to the inside of the mast frame. Examine the winch. Make sure that the spool is intact and rotates smoothly when the handle is turned. Inspect the mounting bracket. The winch should be solidly attached to the bracket. Tighten all loose fasteners. Lower the carriage and examine the cable for reeving, stretching, thinning portions, etc. Confirm that the pulley rotates freely and is securely fastened to the mast.
2. Frame (mast, base): Examine the frame members for damaged welds, severe rusting, cracks, bends, etc. Remove rust with steel wool. Clean the affected areas and apply touch-up paint.
3. Cylinder cradles: Examine the ratchet straps for cuts, tears, etc. Inspect the hooks and that ratchet mechanisms. Confirm that all parts operate normally. Tighten fasteners that attach ratchet assemblies to the cradles. Check cradles for wear, rust, corrosion, and other types of damage.
4. Wheels, rollers, and casters: Check each wheel, caster, and roller for wobbliness, damage, and severe wear. All should roll smoothly. Clean them to remove debris from the surfaces, if necessary.
5. Hardware: Examine the pins, bolts, nuts, etc. Tighten loose fasteners. Replace all damaged fasteners.

**Maintenance:** Implement a maintenance program to ensure that the lifter functions normally for as long as possible. Page 9 of ANSI/ITSDF standard B56.10-2006, “Manually propelled high lift industrial trucks”, describes recommended maintenance procedures. A copy of the standard is downloadable for free from the ITSDF website ([www.itsdf.org](http://www.itsdf.org)). Apply those recommendations in conjunction with the following steps.

1. Tag the lifter, “Out of Service.”
2. Inspect the lifter as described above. If deformity, corrosion, rusting, or excessive wear of structural members is present, permanently remove the lifter from service.
3. Remove any dirt or other matter from the cable and pulleys and other lifter surfaces.
4. Perform all other necessary adjustments and/or repairs. DO NOT modify the lifter.
5. Make a dated record of the repairs, adjustments and/or replacements made.

# LABELING DIAGRAM

The unit should be labeled as shown in the diagram. However, label content and location are subject to change so your product might not be labeled exactly as shown. Thoroughly photograph the unit when you first receive it as discussed in the *Record of Satisfactory Condition* section of this manual. Make sure that your Record includes a photograph of each label. Modify this diagram, if necessary, to indicate labeling actually applied. Replace all labels that are, damaged, missing, or not easily readable (e.g. faded). Contact the *Parts Department* online at [http://www.vestilmfg.com/parts\\_info.htm](http://www.vestilmfg.com/parts_info.htm) to order replacement labels. You may also call (260) 665-7586 and ask the operator to connect you to the *Parts Department*.



A: Label 728 (on frame)

<b>⚠ WARNING</b>
Mishandling or careless handling of compressed gas cylinders might result in serious personal injuries.
<ul style="list-style-type: none"> <li>Inspect winch, cable, cylinder cradle, ratchet and strap for damage or excessive wear before each use.</li> <li>DO NOT use if damaged.</li> <li>DO NOT leave a raised cylinder unattended or attempt to transport a raised cylinder. Cylinder should rest firmly on lifter base.</li> <li>DO NOT store cylinders on lifter.</li> <li>To release ratchet, squeeze release lever and swing handle.</li> </ul>
<b>⚠ AVISO</b>
El uso incorrecto o el manejo de los cilindros de gas comprimidos pueden resultar en daños personales severos.
<ul style="list-style-type: none"> <li>Inspeccione la llave, el cable, la cuna del cilindro, y amarres por daños o uso excesivos antes de usarlos.</li> <li>NO USE si esta dañado.</li> <li>No deje el cilindro sin atención cuando este en la posición elevada. El cilindro tiene que estar firme sobre la base del levantador.</li> <li>No almacene los cilindros en la levantador.</li> <li>Para soltar el agarre, oprima la palanca de agarre y mearnar la agarradera.</li> </ul>
728

B: Label 287 (on back side of mast)

MODEL/MODELO/MODELE	_____
STATIC CAPACITY (evenly distributed)	_____ lbs.
LA CAPACIDAD CONSTANTE (distribuida uniformemente)	_____ kgs.
CAPACITÉ STATIQUE (distribuée régulièrement)	_____ kgs.
SERIAL/SERIE/SÉRIE	_____
287 REV 0812	

C: Label 527 (on back side of drum carriage)

<b>⚠ WARNING</b>
Only trained, authorized persons should operate this device. Improper operation might result in serious personal injuries sustained by the truck operator and/or bystanders. Operators must observe the following safety/emergency practices:
<ul style="list-style-type: none"> <li><b>BEFORE</b> operating, inspect mast, carriage, forks/deck, cable/chain, wheels, and brakes for damage. <b>DO NOT</b> use if damaged.</li> <li><b>ALWAYS</b> walk travel path before using truck to identify hazards:             <ul style="list-style-type: none"> <li>DO NOT contact electrical lines or overhead objects with device or load;</li> <li>DO NOT travel up/down inclines if an alternate route is available;</li> <li>DO NOT travel over debris.</li> </ul> </li> <li><b>ONLY</b> travel with forks/deck in lowest position appropriate for conditions.</li> <li><b>ALWAYS</b> center and evenly distribute loads on forks/deck.</li> <li><b>ALWAYS</b> secure load to forks/deck.</li> <li><b>ONLY</b> drive or operate truck functions from operator position.</li> <li><b>DO NOT</b> exceed maximum rated load (capacity).</li> <li><b>DO NOT</b> allow people to ride on device.</li> <li><b>DO NOT</b> lift loads over people; <b>DO NOT</b> permit people to walk beneath the forks/deck when raised (loaded or unloaded).</li> <li><b>DO NOT</b> leave unattended UNTIL fully lowered AND unloaded.</li> <li><b>DO NOT</b> modify device in any way.</li> </ul>
<b>⚠ ADVERTENCIA</b>
Solo personas entrenadas y autorizadas deben operar este equipo. La operación inadecuada podría resultar en daños serios al operador del camión y/o a los transeúntes. Los operarios deben observar y seguir las siguientes prácticas de seguridad:
<ul style="list-style-type: none"> <li><b>ANTES</b> de usar, inspeccione el mástil, el equipo, las horquillas/plataforma, cable/ cadena, ruedas y frenos por daños. <b>NO</b> use si se observan daños.</li> <li><b>SIEMPRE</b> camine el trayecto de viaje antes de usar el camión para identificar riesgos:             <ul style="list-style-type: none"> <li>NO toque las líneas eléctricas u objetos altos con el dispositivo o la carga;</li> <li>NO viaje en inclinaciones de subida y bajada si hay otra ruta alternativa;</li> <li>NO viaje sobre desechos.</li> </ul> </li> <li><b>SOLO</b> viaje con las horquillas/plataforma en la posición de descenso más apropiada para las condiciones.</li> <li><b>SIEMPRE</b> centre y distribuya las cargas uniformemente en las horquillas/plataforma</li> <li><b>SIEMPRE</b> asegure la carga a las horquillas/plataforma.</li> <li><b>SOLO</b> conduzca u opere las funciones del camión desde la posición del operario.</li> <li><b>NO</b> exceda la capacidad máxima tasada de carga.</li> <li><b>NO</b> permita que la gente viaje en el equipo.</li> <li><b>NO</b> eleve las cargas sobre la gente. <b>NO</b> permita que la gente camine debajo de las horquillas/plataforma cuando este elevada (con carga o sin carga).</li> <li><b>NO</b> deje el equipo desatendido <b>HASTA</b> que este completamente cargado y descargado.</li> <li><b>NO</b> modifique el equipo de ninguna manera.</li> </ul>
527-Rev.1102

D: Label 208 (on both legs)

<b>⚠ WARNING</b>	<b>⚠ ADVERTENCIA</b>	<b>⚠ AVERTISSEMENT</b>
KEEP CLEAR OF PINCH POINT	MANTENGASE ALEJADO DEL PUNTO DE CORTE	SE TENIR À DISTANCE DU POINT DE PINCEMENT
208A		



## LIMITED WARRANTY

Vestil Manufacturing Corporation (“Vestil”) warrants this product to be free of defects in material and workmanship during the warranty period. Our warranty obligation is to provide a replacement for a defective, original part covered by the warranty after we receive a proper request from the Warrantee (you) for warranty service.

### Who may request service?

Only a warrantee may request service. You are a warrantee if you purchased the product from Vestil or from an authorized distributor AND Vestil has been fully paid.

### Definition of “original part”?

An original part is a part used to make the product as shipped to the Warrantee.

### What is a “proper request”?

A request for warranty service is proper if Vestil receives: 1) a photocopy of the Customer Invoice that displays the shipping date; AND 2) a written request for warranty service including your name and phone number. Send requests by one of the following methods:

<u>US Mail</u>	<u>Fax</u>	<u>Email</u>
Vestil Manufacturing Corporation 2999 North Wayne Street, PO Box 507 Angola, IN 46703	(260) 665-1339 <u>Phone</u> (260) 665-7586	<a href="mailto:info@vestil.com">info@vestil.com</a> Enter “Warranty service request” in subject field.

In the written request, list the parts believed to be defective and include the address where replacements should be delivered. After Vestil receives your request for warranty service, an authorized representative will contact you to determine whether your claim is covered by the warranty. Before providing warranty service, Vestil will require you to send the entire product, or just the defective part (or parts), to its facility in Angola, IN.

### What is covered under the warranty?

The warranty covers defects in the following original, dynamic parts: motors, hydraulic pumps, motor controllers, and cylinders. It also covers defects in original parts that wear under normal usage conditions (“wearing parts”), such as bearings, hoses, wheels, seals, brushes, and batteries.

### How long is the warranty period?

The warranty period for original dynamic components is 90 days. For wearing parts, the warranty period is 90 days. Both warranty periods begin on the date Vestil ships the product to the Warrantee. If the product was purchased from an authorized distributor, the periods begin when the distributor ships the product. Vestil may, at its sole discretion, extend a warranty period for products shipped from authorized distributors by up to 30 days to account for shipping time.

### If a defective part is covered by the warranty, what will Vestil do to correct the problem?

Vestil will provide an appropriate replacement for any *covered* part. An authorized representative of Vestil will contact you to discuss your claim.

### What is not covered by the warranty?

The Warrantee (you) is responsible for paying labor costs and freight costs to return the product to Vestil for warranty service.

### Events that automatically void this Limited Warranty.

- Misuse;
- Negligent assembly, installation, operation or repair;
- Installation/use in corrosive environments;
- Inadequate or improper maintenance;
- Damage sustained during shipping;
- Collisions or other accidents that damage the product;
- Unauthorized modifications: Do not modify the product IN ANY WAY without first receiving written authorization from Vestil.

### Do any other warranties apply to the product?

Vestil Manufacturing Corp. makes no other express warranties. All implied warranties are disclaimed to the extent allowed by law. Any implied warranty not disclaimed is limited in scope to the terms of this Limited Warranty. Vestil makes no warranty or representation that this product complies with any state or local design, performance, or safety code or standard. Noncompliance with any such code or standard is not a defect in material or workmanship.

